

Optional End Panels For A-Series, M-Series & H-Series

End Panels are available in Deep Violet for infrared transmission, Clear and Transparent Red.

End Panel Thickness

For all IR, CL & TRANSPARENT

A-Series All A-Series end panels are .0601(1.52) except A-42 which is .125(3.18).

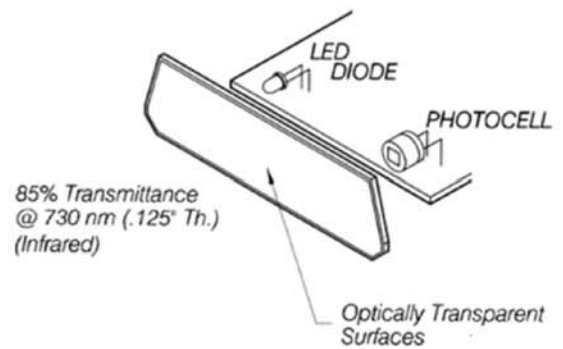
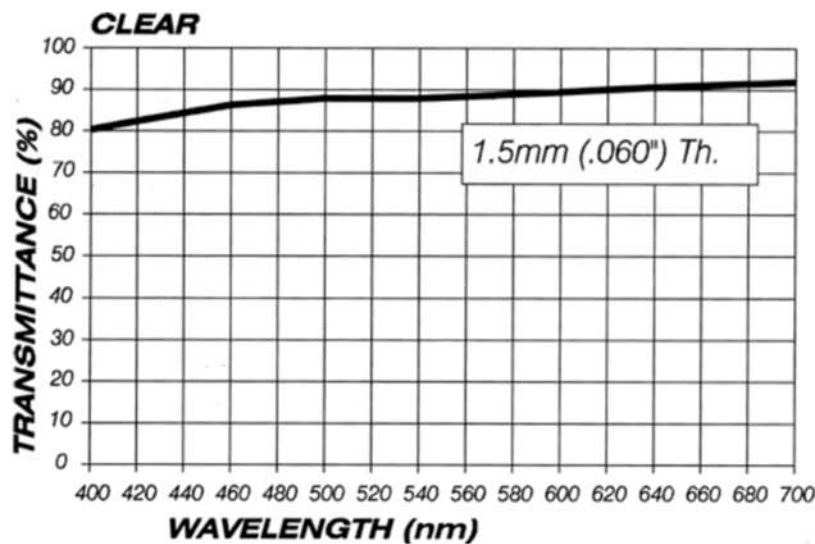
H-Series All H-Series end panels are .045(1.14).

M-Series All M-Series end panels are .065(1.65).

Clear And Transparent Red Panel Characteristics

Dielectric Strength: 85 KV/mil

Continuous operating temperature: -50°C (-58°F) to 74°C (165°F)



Infrared Panel Characteristics

Dielectric Strength: 380 V/mil

Continuous operating temperature: -129°C (-200°F) to 276°C (310°F)

