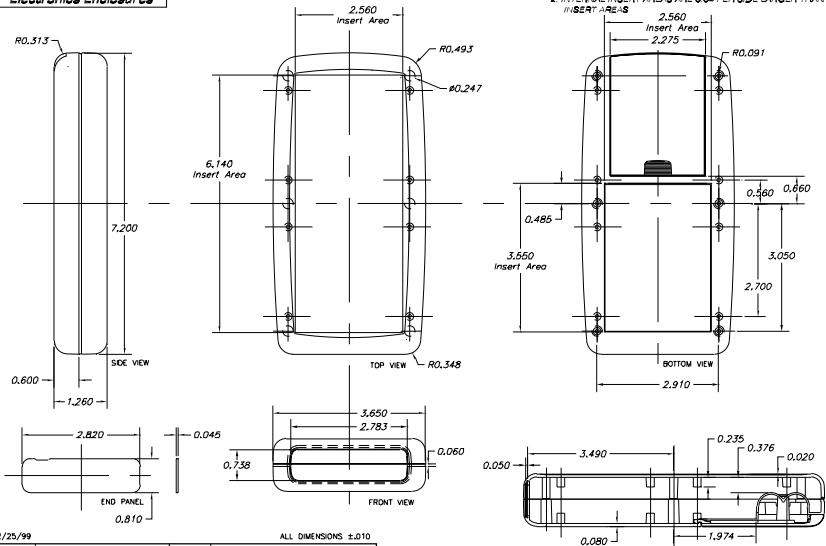


SERPAC H-75, AA

Electronics Enclosures

NOTES:

1. WHEN MACHINE OR PLATES MODIFICATIONS ARE REQUIRED, USE THE CENTER OF THE ENCLOSURE TO DIMENSION.
2. INTERNAL INSERT AREAS ARE 0.04 PER SIDE LARGER THAN INSERT AREAS



2/25/99

ALL DIMENSIONS ± 0.10

PART NO.	DESCRIPTION	PART NO.	ACCESSORIES
2110	PLASTIC TOP	2115CL	CLEAR PANEL
2115	PLASTIC END PANEL	2115IR	INFRARED PANEL
2111	PLASTIC BOTTOM	2115R	TRANSPARENT RED PANEL
6003	SCREW		

Section A-A

619 Commercial Ave. Colton, CA 91723

(626) 331-0517 Fax: (626) 331-8064 <http://www.serpac.com>