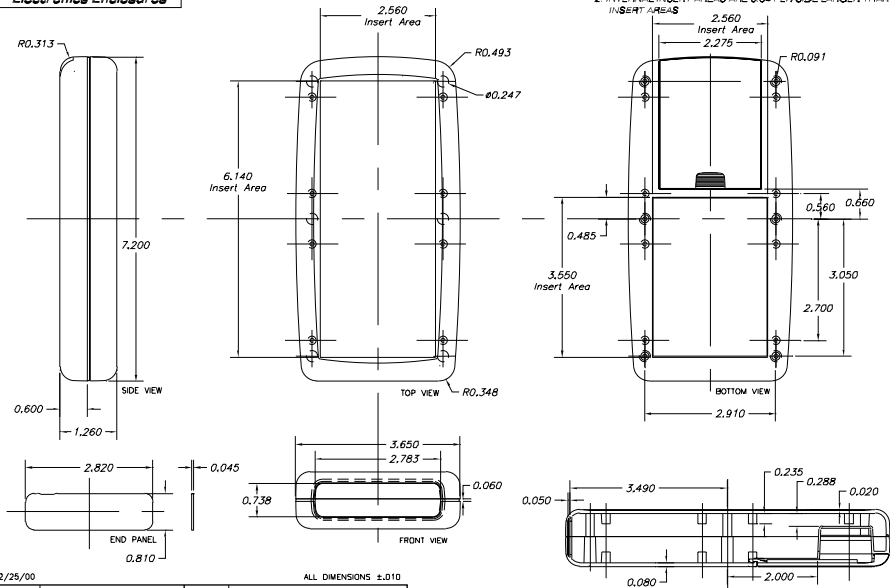


# SERPAC H-75, 9V

Electronics Enclosures

**NOTES:**

1. WHEN MACHINE OR PLATES MODIFICATIONS ARE REQUIRED, USE THE CENTER OF THE ENCLOSURE TO DIMENSION.
2. INTERNAL INSERT AREAS ARE 0.04" PER SIDE LARGER THAN INSERT AREAS



2/25/00

ALL DIMENSIONS  $\pm 0.10$

PART NO.	DESCRIPTION	PART NO.	ACCESSORIES
2110	PLASTIC TOP	2115CL	CLEAR PANEL
2115	PLASTIC END PANEL	2115IR	INFRARED PANEL
2113	PLASTIC BOTTOM	2115R	TRANSPARENT RED PANEL
6003	SCREW		

Section A-A

619 Commercial Ave. Covina, CA 91723

(626) 331-0517 Fax: (626) 331-8584 <http://www.serpac.com>