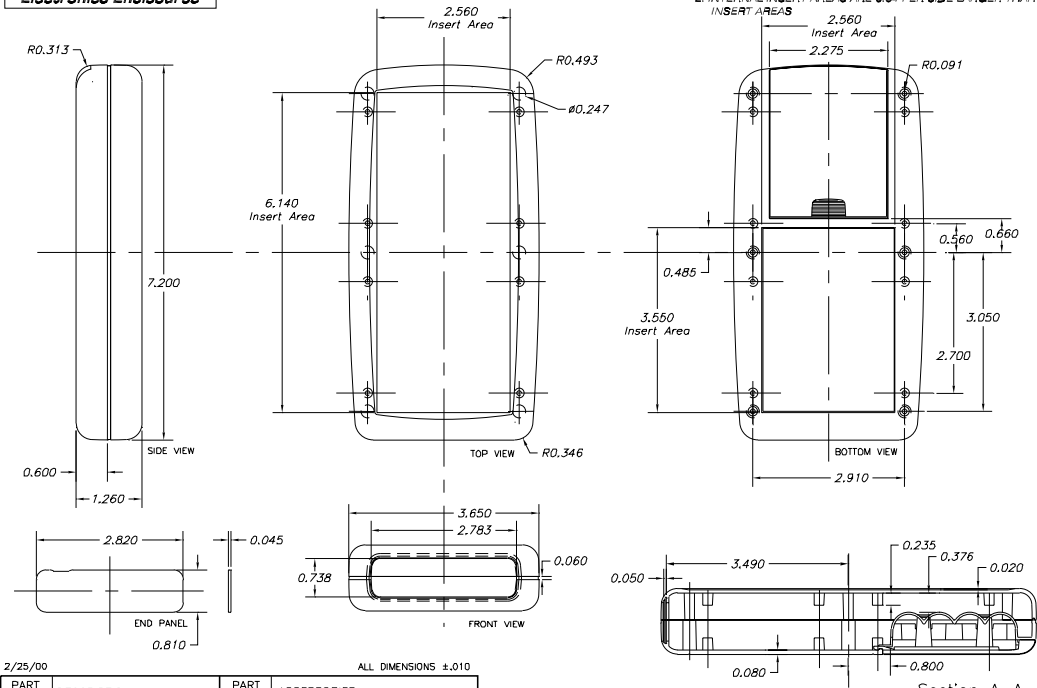


# SERPAC H-75, 4AA

Electronics Enclosures

## NOTES:

1. WHEN MACHINE OR I PLATES MODIFICATIONS ARE REQUIRED, USE THE CENTER OF THE ENCLOSURE TO DIMENSION.
2. INTERNAL INSERT AREAS ARE 0.04" PER SIDE LARGER THAN INSERT AREAS



2/25/00

ALL DIMENSIONS  $\pm 0.10$

PART NO.	DESCRIPTION	PART NO.	ACCESSORIES
2110	PLASTIC TOP	2115CL	CLEAR PANEL
2115	PLASTIC END PANEL	2115IR	INFRARED PANEL
2114	PLASTIC BOTTOM	2115R	TRANSPARENT RED PANEL
6003	SCREW		

Section A-A