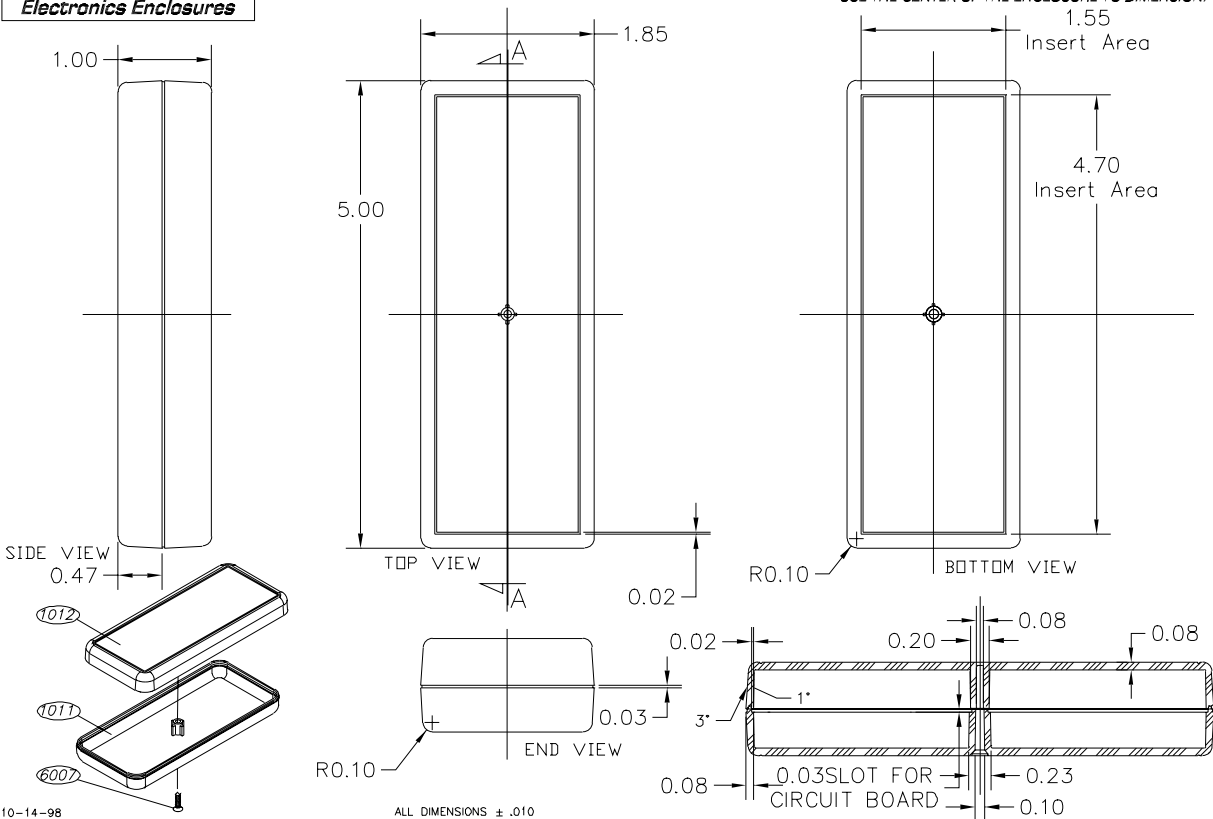


SERPAC C-28

Electronics Enclosures

NOTES:
1. WHEN MACHINE OR I PLATES MODIFICATIONS ARE REQUIRED, USE THE CENTER OF THE ENCLOSURE TO DIMENSION.



10-14-98

ALL DIMENSIONS ± .010

PART NO.		ACCESSORIES	
1012	PLASTIC TOP	PART NO.	DESCRIPTION
1011	PLASTIC BOTTOM	51	KEY HOLDER
6007	SCREW	319	POCKET CLIP