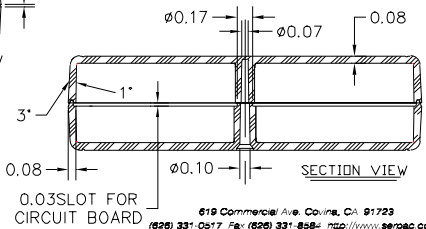
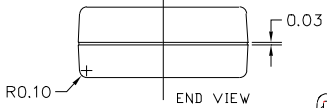
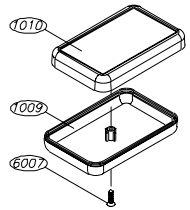
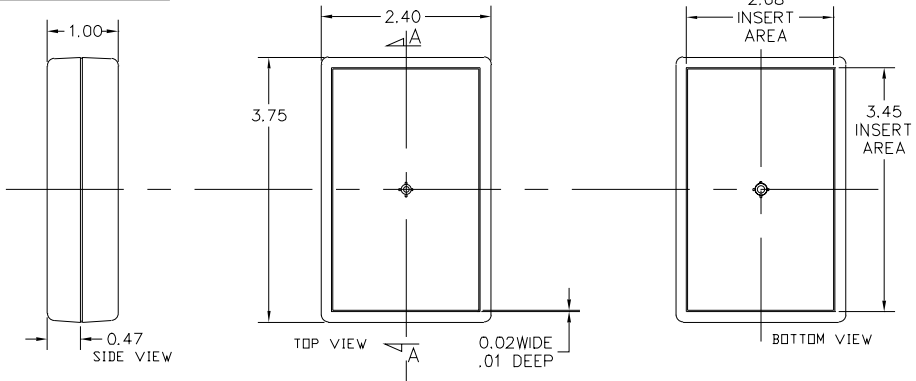


SERPAC C-12

Electronics Enclosures

NOTES
 1. WHEN MACHINE OR PLATES MODIFICATIONS ARE REQUIRED,
 USE THE CENTER OF THE ENCLOSURE TO DIMENSION.



10-14-98 ALL DIMENSIONS ± .010

DESCRIPTION		ACCESSORIES	
PART NO.	DESCRIPTION	PART NO.	DESCRIPTION
1010	PLASTIC TOP	51	KEY HOLDER
1009	PLASTIC BOTTOM	319	POCKET CLIP
6007	SCREW		