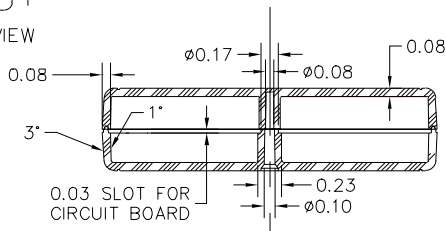
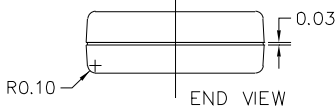
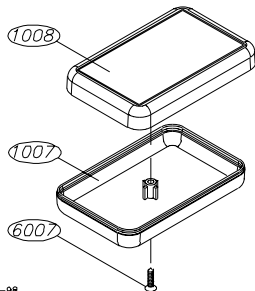
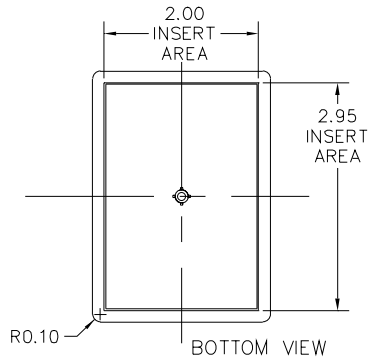
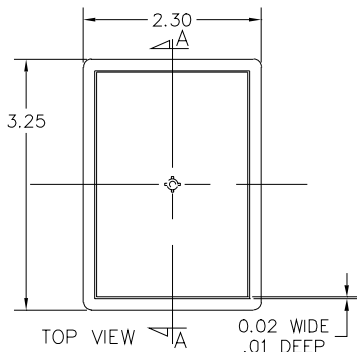
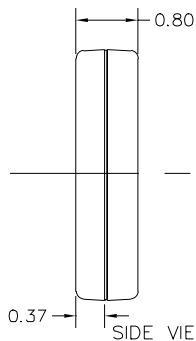


SERPAC C-10

Electronics Enclosures

NOTES:
1. WHEN MACHINE OR PLATES MODIFICATIONS ARE REQUIRED, USE THE CENTER OF THE ENCLOSURE TO DIMENSION.



10-14-98

ALL DIMENSIONS ± .010

PART NO.	DESCRIPTION	PART NO.	DESCRIPTION
1008	PLASTIC TOP	51	KEY HOLDER
1007	PLASTIC BOTTOM	319	POCKET CLIP
6007	SCREW		