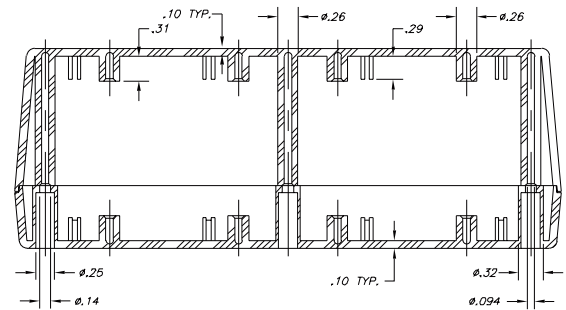
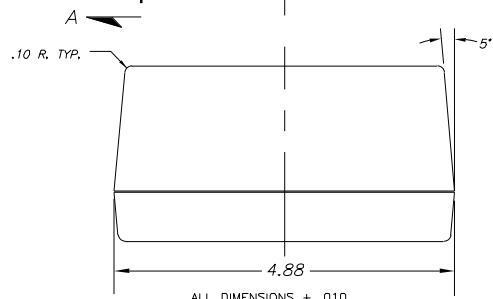
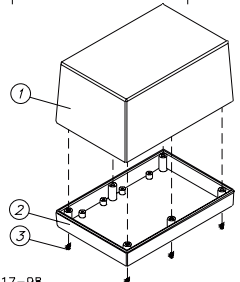
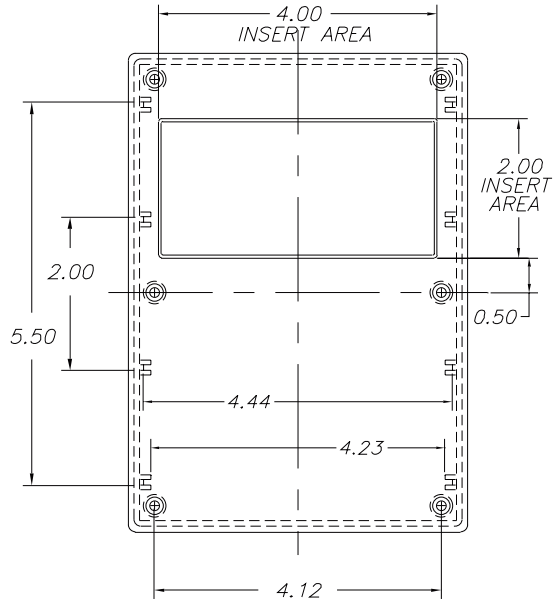
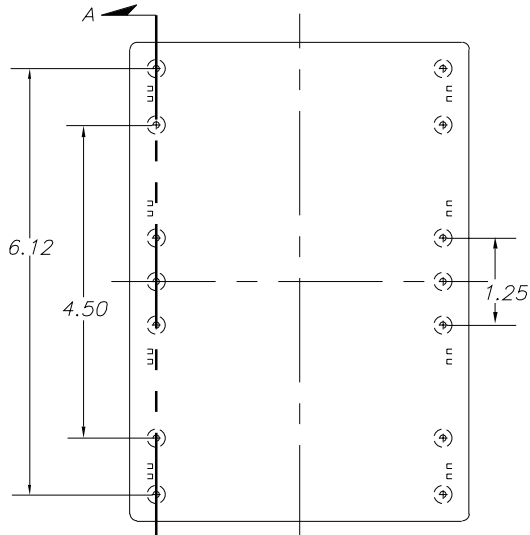
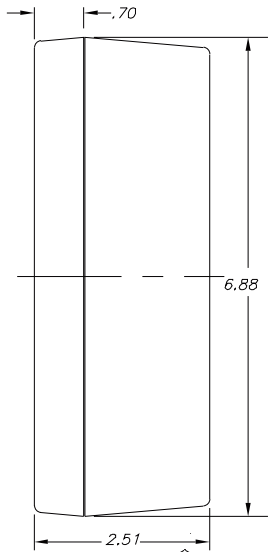


NOTES:  
1. WHEN MACHINE OR I PLATES MODIFICATIONS ARE REQUIRED, USE THE CENTER OF THE BOX TO DIMENSION.



8-17-98.

ALL DIMENSIONS ± .010

| ITEM | PART NO. | DESCRIPTION    | PART NO. | ACCESSORIES DESCRIPTION       |
|------|----------|----------------|----------|-------------------------------|
| 1    | 73       | PLASTIC TOP    | 50       | FEET                          |
| 2    | 17       | PLASTIC BOTTOM | 370      | PROTOTYPE GRID BOARD (HORIZ.) |
| 3    | 6005     | SCREWS (6)     | 470      | PROTOTYPE CLAD BOARD (HORIZ.) |
|      |          |                | 373      | PROTOTYPE GRID BOARD (VERT.)  |
|      |          |                | 473      | PROTOTYPE CLAD BOARD (VERT.)  |

SECTION A-A