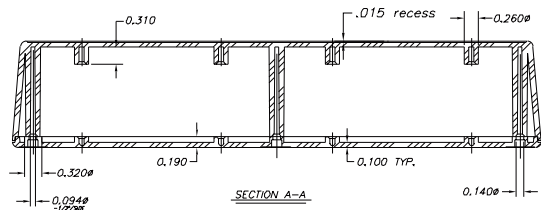
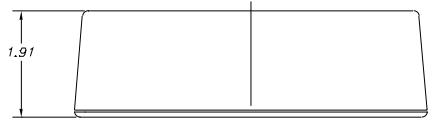
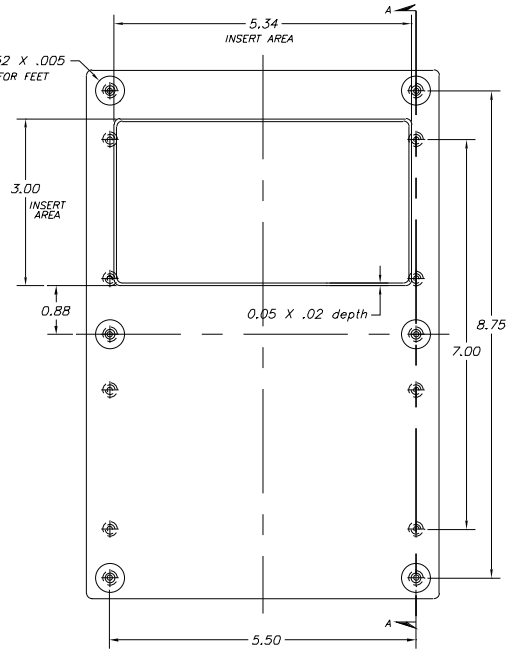
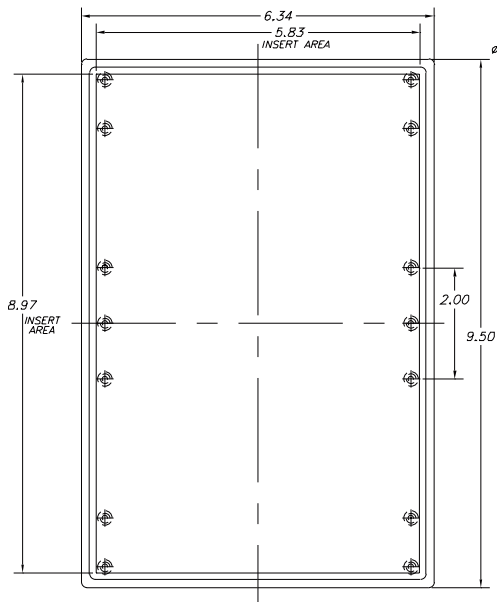
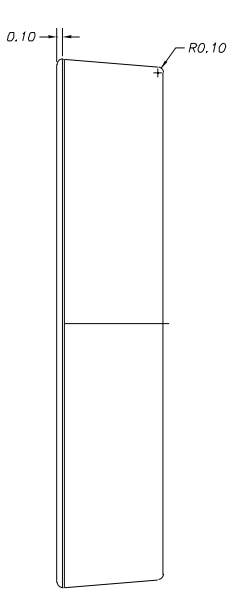


SERPAC 093-1

Electronics Enclosures

NOTES:
 1. WHEN MACHINE OR I PLATES MODIFICATIONS ARE REQUIRED, USE THE CENTER OF THE BOX TO DIMENSION.



8-17-98.

ALL DIMENSIONS ± .010

| ITEM | PART NO. | DESCRIPTION | ACCESSORIES | |
|------|----------|----------------|-------------|-------------|
| 1 | 931 | PLASTIC TOP | PART NO. | DESCRIPTION |
| 2 | 09 | PLASTIC BOTTOM | 51 | FEET |
| 3 | 6005 | SCREWS (6) | | |