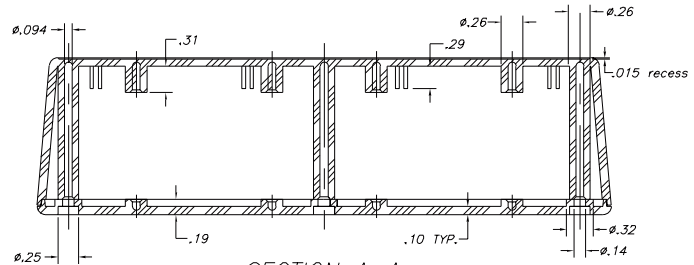
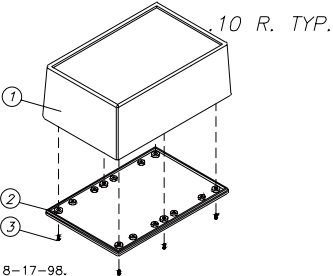
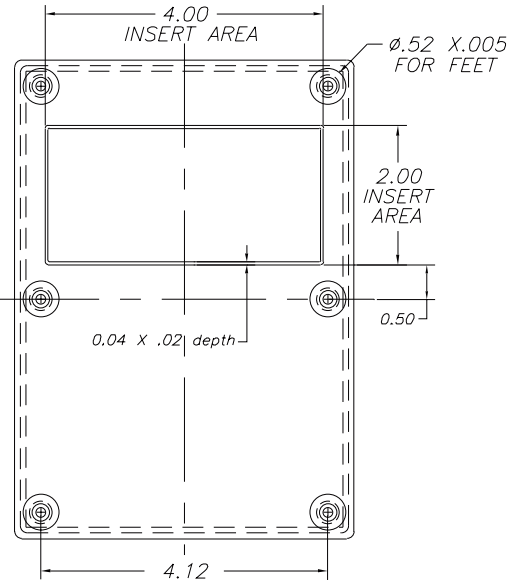
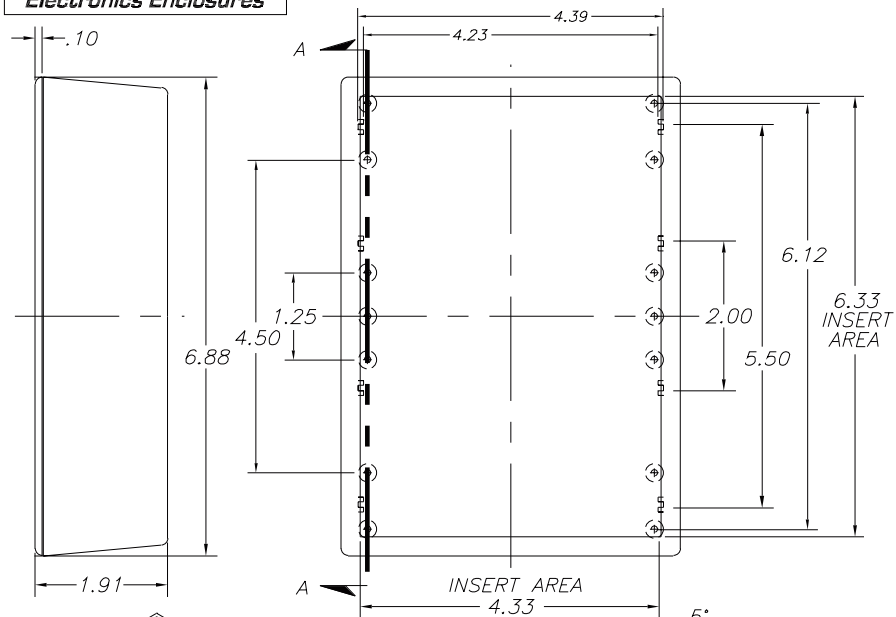


SERPAC 073-1

Electronics Enclosures

NOTES:
1. WHEN MACHINE OR I PLATES MODIFICATIONS ARE REQUIRED, USE THE CENTER OF THE BOX TO DIMENSION.



SECTION A-A

8-17-98. ALL DIMENSIONS ± .010

ITEM	PART NO.	DESCRIPTION	PART NO.	DESCRIPTION
1	731	PLASTIC TOP	51	FEET
2	07	PLASTIC BOTTOM	370	PROTOTYPE GRID BOARD (HORIZ.)
3	6005	SCREWS (6)	470	PROTOTYPE CLAD BOARD (HORIZ.)