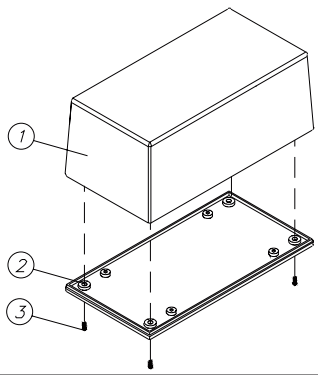
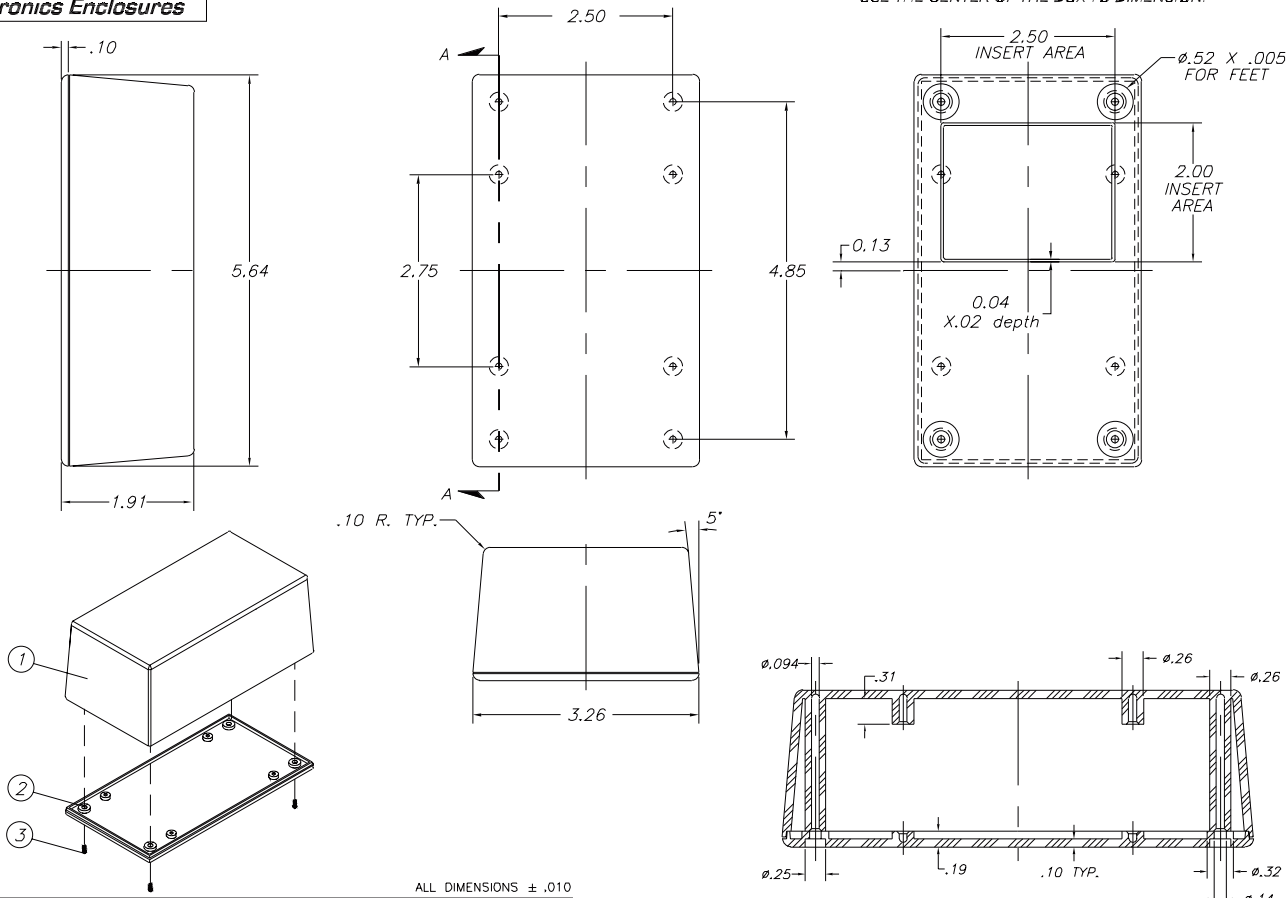


# SERPAC 053

Electronics Enclosures

NOTES:  
1. WHEN MACHINE OR I PLATES MODIFICATIONS ARE REQUIRED, USE THE CENTER OF THE BOX TO DIMENSION.



8-17-98.

ALL DIMENSIONS ± .010

ITEM	PART NO.	DESCRIPTION	ACCESSORIES	
1	53	PLASTIC TOP	PART NO.	DESCRIPTION
2	05	PLASTIC BOTTOM	51	FEET
3	6005	SCREWS (4)	360	PROTOTYPE GRID BOARD (HORIZ.)
			450	PROTOTYPE CLAD BOARD (HORIZ.)

SECTION A-A