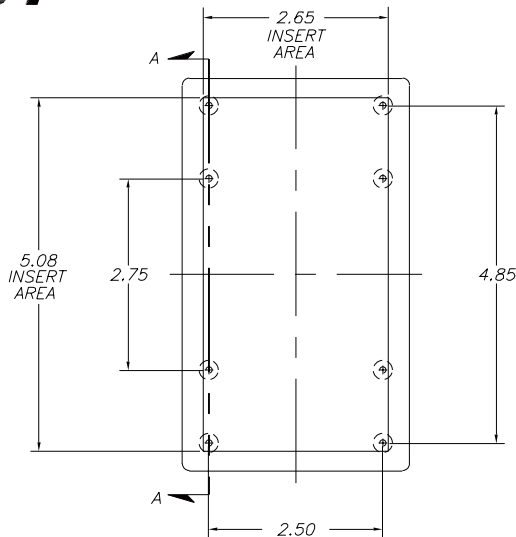
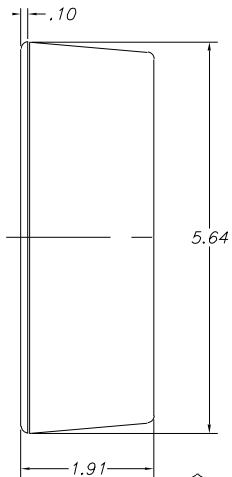
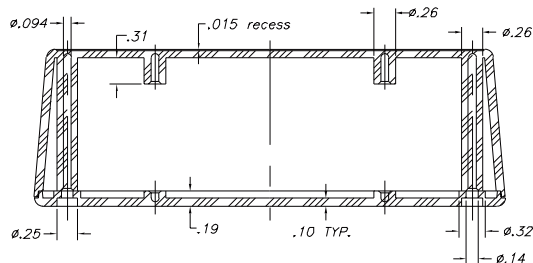
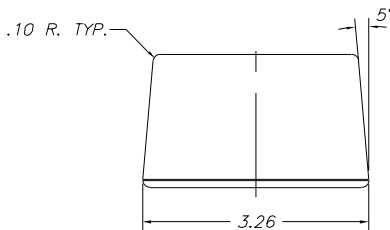
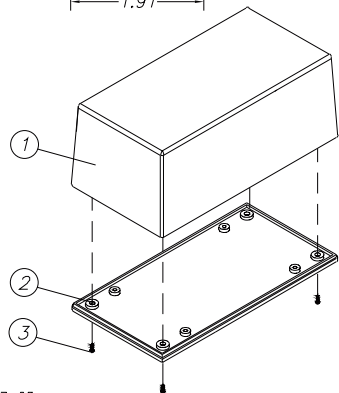
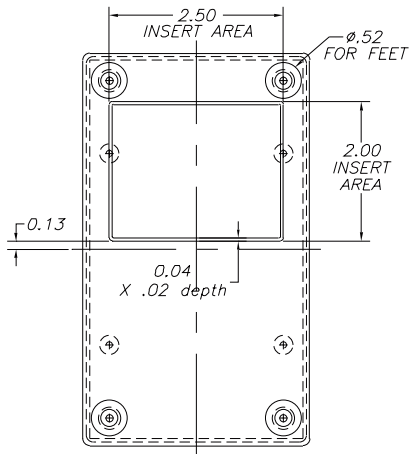


SERPAC 053-1

Electronics Enclosures



NOTES:
1. WHEN MACHINE OR I PLATES MODIFICATIONS ARE REQUIRED, USE THE CENTER OF THE BOX TO DIMENSION.



SECTION A-A

8-17-98.

ALL DIMENSIONS ± .010

ITEM	PART NO.	DESCRIPTION	PART NO.	ACCESSORIES DESCRIPTION
1	531	PLASTIC TOP	51	FEET
2	05	PLASTIC BOTTOM	360	PROTOTYPE GRID BOARD (HORIZ.)
3	6005	SCREWS (4)	450	PROTOTYPE CLAD BOARD (HORIZ.)

619 Commercial Ave. Covina, CA 91723

(626) 331-0517 Fax (626) 331-8584 <http://www.serpac.com>