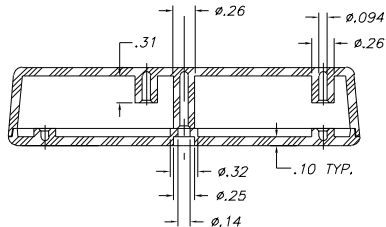
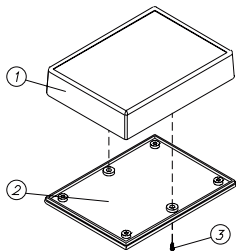
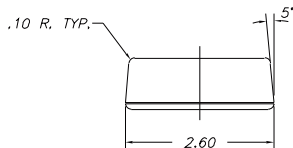
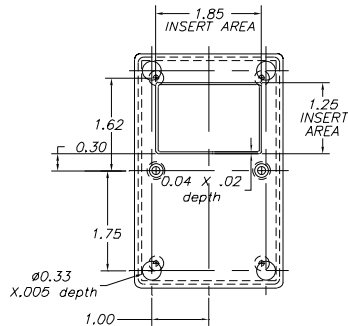
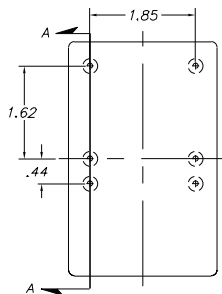
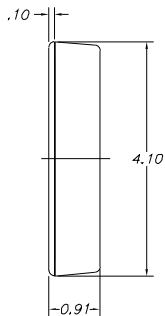


NOTES:  
1. WHEN MACHINE OR I PLATES MODIFICATIONS ARE REQUIRED, USE THE CENTER OF THE BOX TO DIMENSION.



SECTION A-A

8-17-98.

ALL DIMENSIONS ± .010

ITEM	PART NO.	DESCRIPTION	ACCESSORIES	
1	2-1	PLASTIC TOP	PART NO.	DESCRIPTION
2	21	PLASTIC BOTTOM	52	FEET
3	6005	SCREWS (2)		