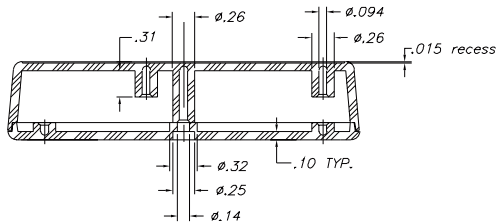
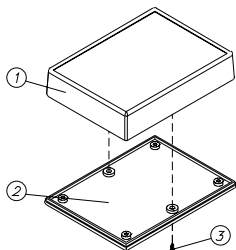
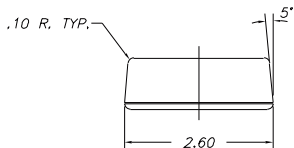
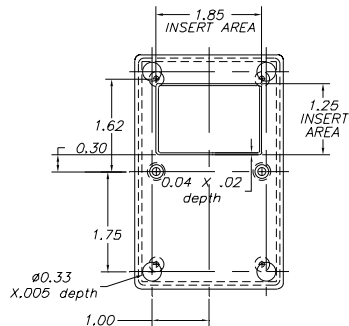
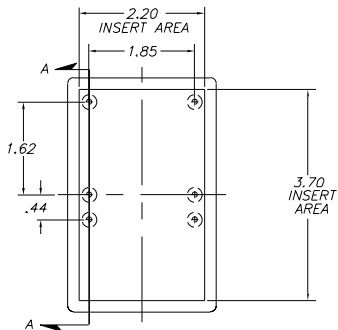
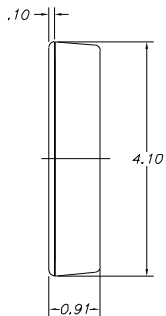


# SERPAC 021-1

Electronics Enclosures

**NOTES:**

1. WHEN MACHINE OR I PLATES MODIFICATIONS ARE REQUIRED, USE THE CENTER OF THE BOX TO DIMENSION.



SECTION A-A

8-17-98.

ALL DIMENSIONS ± .010

ITEM	PART NO.	DESCRIPTION	ACCESSORIES	
1	211	PLASTIC TOP	PART NO.	DESCRIPTION
2	21	PLASTIC BOTTOM	52	FEET
3	6005	SCREWS (2)		

619 Commercial Ave. Covina, CA 91723

(626) 331-0517 Fax: (626) 331-8584 <http://www.serpac.com>